

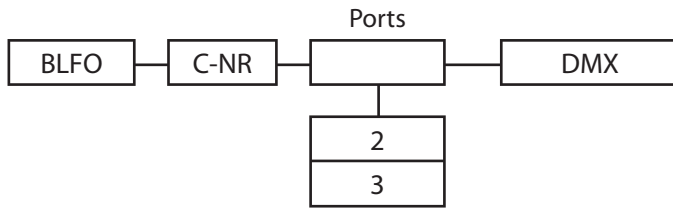
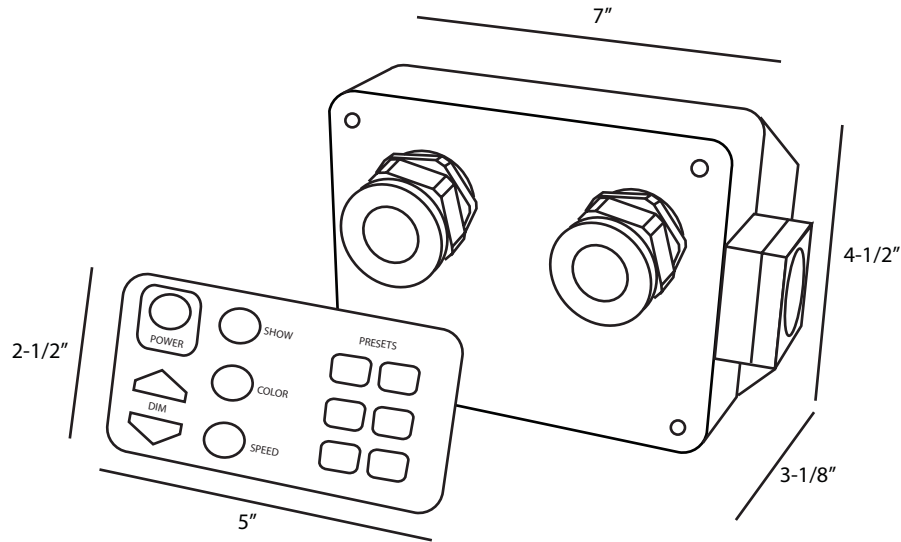


INNOVATIVE
LIGHTING

Fiber Optic Systems

LED Illuminator

C-Type DMX RGB LED Multi-Port



Part #	Description
SBMG1040-12	Power supply
C-NR-pnl	Control panel RS232 jack

Mechanical Properties

Construction: Beige Polycarbonate housing

Lamp: RGB LED
 Lamp life: 50,000hr (estimated)
 CCT/CRI: RGB
 Accoustics: 40dB

Port Quantity: 2 or 3
 Port Aperture: $\varnothing 3/4"$
 Max Fibers: See Chart

Electrical Properties

Input: 12VDC 60Hz
 Max Power: 2 Port: 11W (28W Max)
 3 Port: 17W (43W Max)

Mounting

Mechanical: Key hole mounts
 Position: Any

Environmental Specifications

Operating Temp: -15° - 40° C
 Weatherability: Indoor only
 Cooling: Single Fan

Control/Data

Control: DMX
 Data Jacks: RS232

Programs: External DMX
 Proprietary Control Panel
 Toggle Switch

Notes

Must be mounted in a dry, ventilated, accessible location.

Fiber Size	Fiber Capacity (per port)
BLFO-xx500 $\varnothing 1/2"$	1
BLFO-xx375 $\varnothing 3/8"$	1
BLFO-xx250 $\varnothing 1/4"$	4
BLFO-xx125 $\varnothing 1/8"$	7

Capacity are estimations.

As part of BL's dedication to ongoing and continuous research and development, BL reserves the right to change or withdraw specifications at any time without notice.



BL Innovative Lighting
 111 - 8838 Heather St.
 Vancouver, BC, V6P3S8, Canada

P: 604-874-4405
 F: 604-321-0445

E: sales@bllighting.com
 W: www.bllighting.com